

# Z400



Z400 with options

## Z400 Technical Data

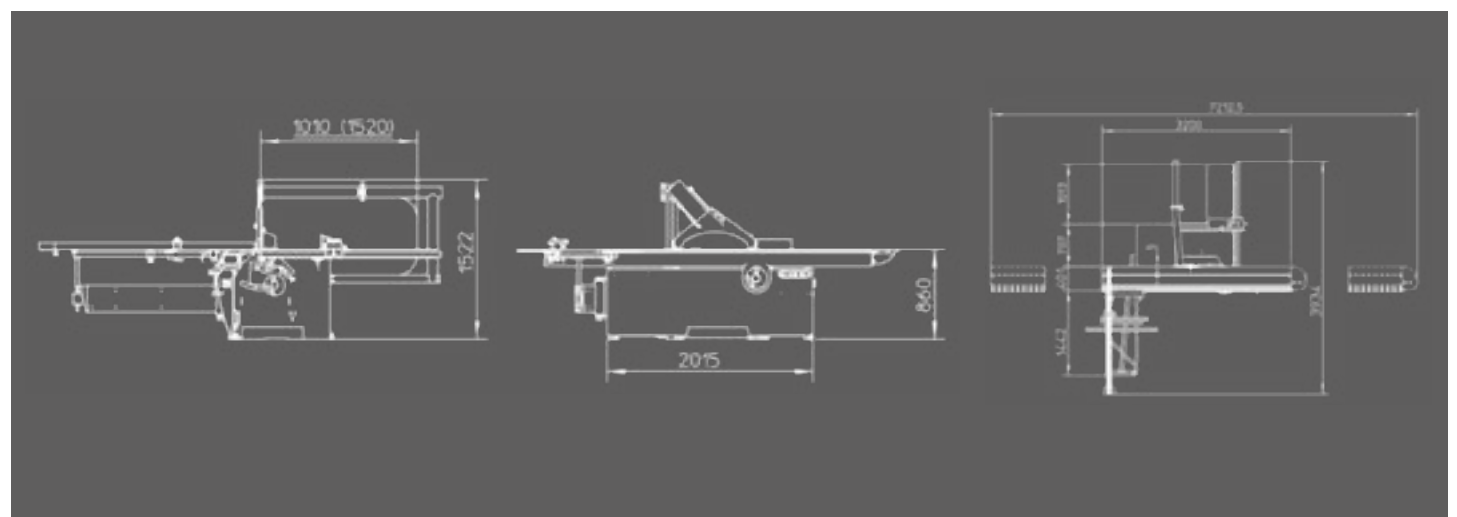
Weight	850 kg (Z400-3200) - 1080 kg (Z400X3-3800)
Voltage (three phases)	400 V, option 230 V
Motor power (three phase)	7 kW / 10,5 HP (S6), option 9,2 kW / 14 HP (S6)

### Saw

RPM	3000 / 4000 / 5000
Diameter saw blade and bore	300 - 400 mm, 30 mm
Sawblade tilting	90° - 45°
Cutting depth at 90° / 45°	125 mm / 90 mm
Cutting width parallel fence, version Z400, Z400EL	1000/1350/1525 mm
Cutting width parallel fence, version Z400X1, Z400X3	1250/1500 mm
Cutting length	3500 mm (option 2500 / 4100 mm)
Dimensions cast iron table	985 mm x 710 mm
Dimensions sliding table	3200 (option 2200/3800) mm x 420 mm
Dimensions cross-cut table	1420 mm x 650 mm
Length of swiveling cross-cut fence	2295mm (telescopic 3000mm)

### Scoring unit

Diameter saw blade and bore	120 mm, 20 mm
Cutting depth with 120 mm diameter blade	3,5 mm
RPM	8200
Scoring saw motor power	1,3 kW / 2 HP (S6)



## **STRENGTHS**

COMMON TO ALL ROBBLAND PANEL SAWS



### **TORSION TUBE**

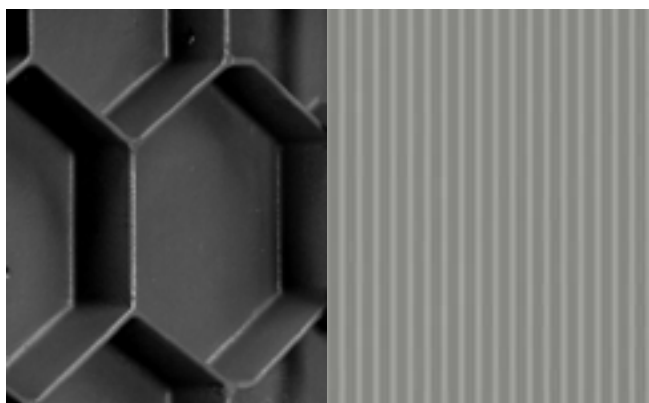
A torsion tube filled with concrete offers increased rigidity to the frame, absorbs vibrations and functions as a counterweight for the load on the sliding table.



### **ALUMINIUM SLIDING TABLE WITH BOSS**

The aluminium sliding table is completely anodized for better hardness and rust protection. The Robland bearing system with hard balls on round hardened steel round bars (BOSS) and automatic cleaning system ensures a smooth operation. The design of the profiles ensures a very high torsion resistance and rigidity, so that the sliding table can easily take heavy loads for many years.

The sliding table of the Z400 and the Z500 is the widest in the industry.



### **CAST IRON TABLES**

Our cast iron tables have a honeycomb structure for the highest strength per weight ratio. The surface is scraped. This technique with low energy dissipation guarantees a very flat surface. Microgrooves are applied for easy gliding of the wooden work piece on the cast iron table.

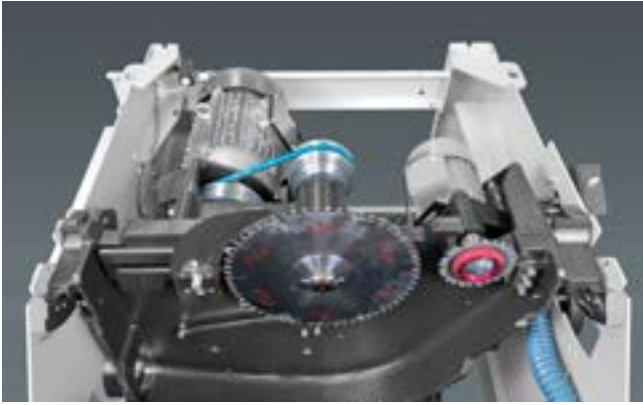


### **OVERHANGING SAW GUARD**

For optimum safety and dust extraction, the overhanging saw guard (optionally available as of E300, standards as on Z400) automatically adjusts to the height of the workpiece. The arm is easy to turn away. The angled support arm (on the Z500) allows the cross cut of longer workpieces with a width of up to 850 mm, perfect for kitchen worktables.

# STRENGTHS

SPECIFIC TO THE Z300, Z400, Z500 SERIES



## OPTIMIZED SAW AGGREGATE

The saw aggregate is made out of one piece in cast iron for natural absorption of vibrations and offering more precision and stability. Its curved design allows for optimal dust extraction. The heavy, cast-iron sawing unit rotates on large shells. The system is maintenance-free and guarantees lifelong accuracy as well as smooth movements. The rotational speed can be changed easily. There is a wide range of engine powers available.



## DIGITAL READ-OUT

The Double Digital Flippers (DDF) system increases ease of use and accuracy when measuring dimensions along the outtrigger fence. The right flipper is used for narrow parts while the left flipper allows to measure panels with a larger width.



## MOTORIZED PARALLEL FENCE

The control of the movement of the parallel fence on a ball screw allows for its very accurate positioning (X1 and X3)



## LED STRIP WARNING

On the Z500 models a led strip lights up near the scoring blade when it is in use. This is also available as an option on the Z400 models.

# Z SERIES

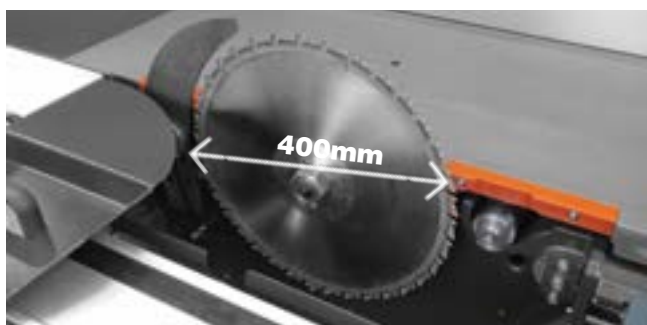
## DIFFERENT SAW DIAMETERS

In 2018 ROBLAND launched a new series of panel saws on the basis of different saw diameters, sliding tables and executions. Here you have an overview:



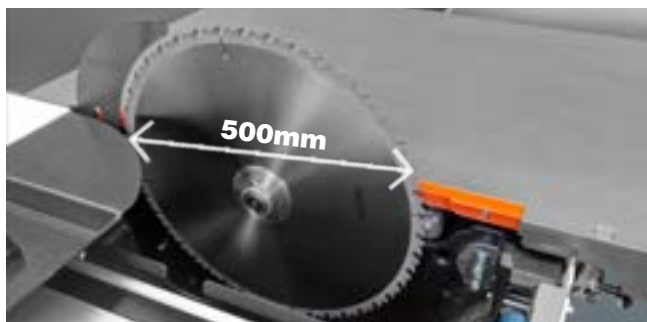
### Z300 Series

Maximum saw blade diameter: 315 mm



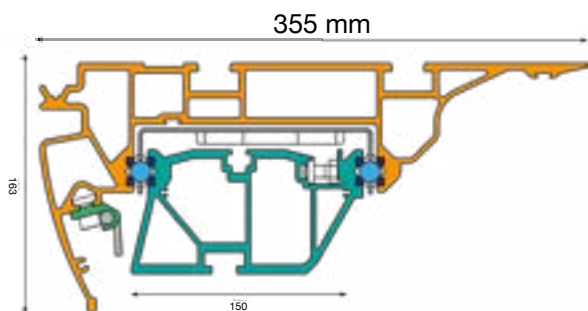
### Z400 Series

Maximum saw blade diameter: 400 mm / 350 mm with mounted scoring blade



### Z500 Series

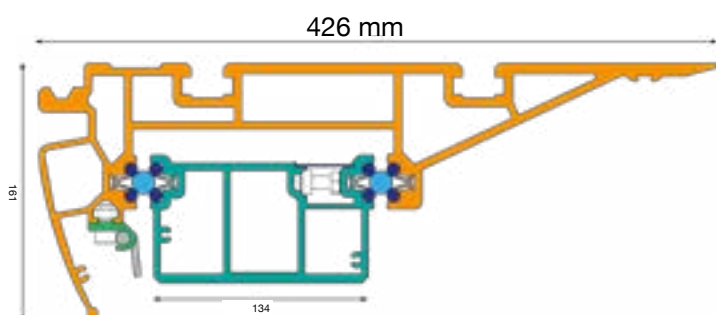
Maximum saw blade diameter: 500 mm / 350 mm with mounted scoring blade



### SLIDING TABLE Z300

- Balls on steel bar system (BOSS)
- 6 Years warranty
- 30 steel ball bearings

Available in lengths 2200 / 2800 / 3200 / 3800 mm  
Cutting lengths: 2500 / 3100 / 3500 / 4100 mm



### SLIDING TABLE Z400/Z500

- Balls on steel bar system (BOSS)
- 6 Years warranty
- 30 steel ball bearings

Available in lengths 2200 / 3200 / 3800 mm  
Cutting lengths: 2500 / 3500 / 4100 mm

## Z SERIES DIFFERENT EXECUTIONS



### MANUAL (M)

Manual height and tilt adjustment of the saw blade with analogue read-out of inclination of the saw blade.



### ELECTRIC (EL)

Electrical height and angle adjustment of the saw blade.

Here pictured with the optional digital read-out of height and inclination of the saw blade.



### 1 AXIS CONTROL (X1)

Overhanging control panel with:

- 7" colour touch screen for numerical control of position of the parallel fence and read-out of height and inclination of the saw blade.
- Push buttons for:
  - Start/stop of the saw blade and scoring blade
  - Height and inclination of the saw blade
  - Emergency stop
- Clipboard for instructions



### 3 AXIS CONTROL (X3)

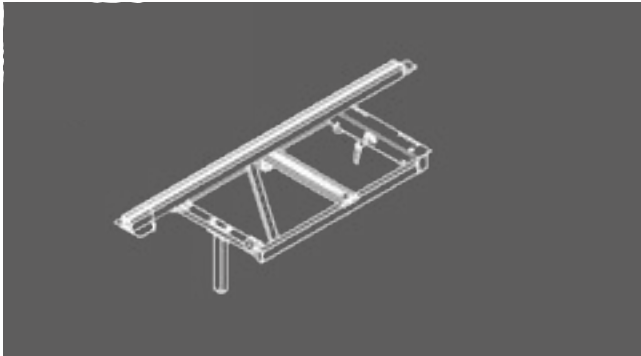
Overhanging control panel with 7" control touch screen controlling the position of the parallel fence as well as the height and angle adjustment of the saw blade.

- Push buttons for:
  - Start/stop of the saw blade and scoring blade
  - Emergency stop
- Clipboard for instructions



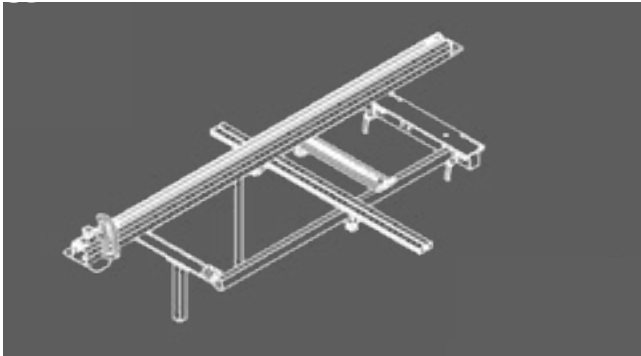
# Z SERIES

ROBLAND offers you the choice of different **outrigger tables** on the Z series.



## Z300

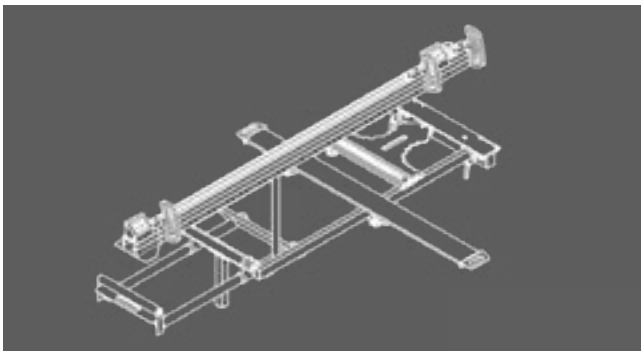
Basic outrigger table (1000 x 550 mm<sup>2</sup>) with slanting telescopic cross-cut fence.



## Z400

Large outrigger table (1420 x 650 mm<sup>2</sup>) with slanting telescopic cross-cut fence (2295 - 3000 mm).

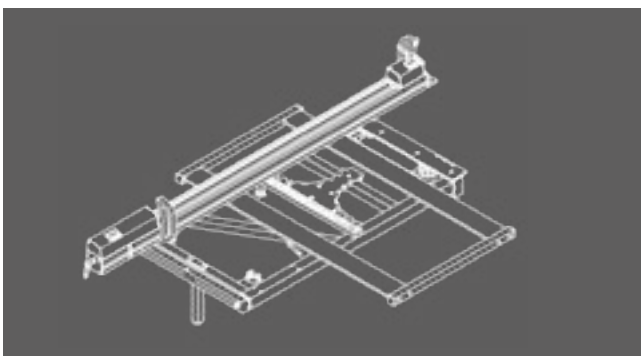
Also available as an option on Z300.



## Z400 COMF

Large outrigger table with extension and slanting telescopic cross-cut fence (2295 - 3000 mm). The index system with length correction facilitates accurate sawing of angles and mitre cuts.

Available as an option on Z300 & Z400.



## Z500

Largest outrigger table (1505 x 760 mm<sup>2</sup>) with extensions in length and width and slanting telescopic cross-cut fence (2295 - 3355 mm). The index system with length correction facilitates accurate sawing of angles and mitre cuts.

Also available as an option on Z400.



### DIGITAL READ-OUT (Z300)

Digital read-out on parallel fence with micro adjustment. This increases the ease of use and accuracy.



### DIGITAL READ-OUT (Z400/Z500)

Digital read-out on parallel fence with micro adjustment. This increases the ease of use and accuracy.

This digital read-out is also available on the Z300 when it is equipped with the optional Z400/Z500 parallel fence.



### DIGITAL READ-OUTS (Z300 /Z400)

The Double Digital Flippers system increases ease of use and accuracy when measuring dimensions along the outrigger fence. The right flipper is used for smaller parts while the left flipper allows to measure panels with a larger width.

On the Z400 it is possible to have a second digital read-out on the telescopic part. This digital read-out is available on the Z300 when it is equipped with the optional Z400/Z500 parallel fence.



### DIGITAL READ-OUTS (Z500)

Digital read-out on flippers. Increases ease of use and accuracy. Through its large size it allows for continuity from base profile to extension. The telescopic part of the profile also has a digital read-out.



### REMOTE START-STOP FUNCTION

Additional start-stop buttons for saw and scoring integrated in the sliding table for increased ease of use and safety.



### GROOVE CUTTER

Ability to cut a groove of max. 16 mm wide.

## ACCESSORIES

**Z** SERIES



### MITRE FENCE

Mitre fence with wood clamp.



Double sided mitre fence.



### ADJUSTABLE SCORING BLADE

“LEADER” scoring blade with adjustable width to match the main saw.



### SUPPORT TABLES

Extra support table

Can be positioned anywhere along the aluminium profile of the sliding table. Together with the outrigger table it offers a better support for large panels.



Extra support table with rip fence on ruler for long narrow strips.